

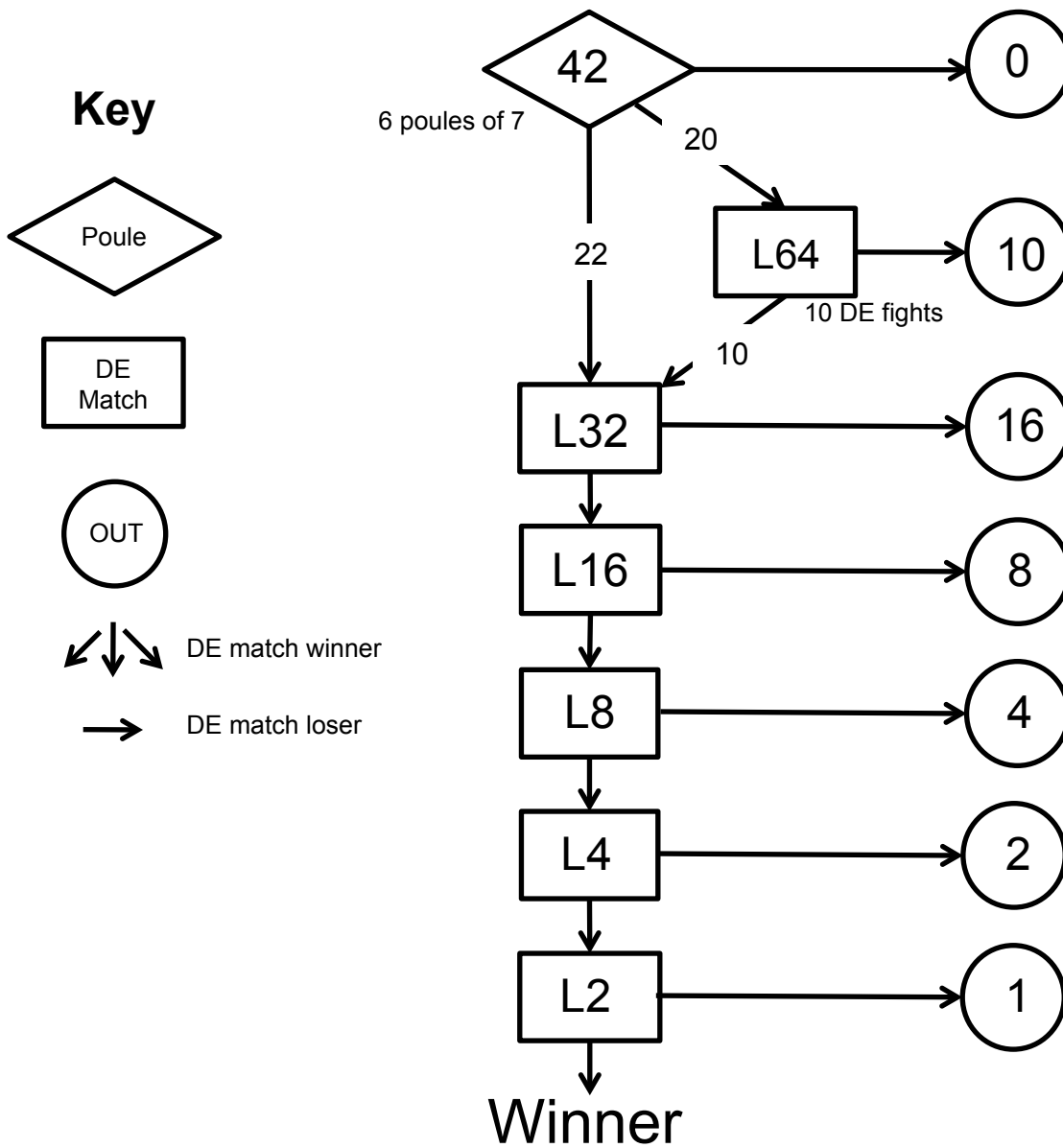


Leon Paul League

Information

Entry limit = 42

No elimination from poules





Timetable

Time	Event/Round
08:00	
08:15	
08:30	
08:45	
09:00	
09:15	
09:30	Doors Open
09:45	
10:00	
10:15	
10:30	Check-in closes
10:45	
11:00	1st Round - 6 poules of 7
11:15	
11:30	
11:45	
12:00	
12:15	
12:30	
12:45	
13:00	L64 on 5 pistes
13:15	
13:30	
13:45	L32 on 4 pistes
14:00	
14:15	
14:30	
14:45	
15:00	L16 on 4 pistes
15:15	
15:30	
15:45	L8 on 4 pistes
16:00	
16:15	L4 on 2 pistes
16:30	
16:45	Final
17:00	

The organisers retain the right to change the format of the competition.

Following the completion of the poule round, the competition will run ahead of schedule if possible.